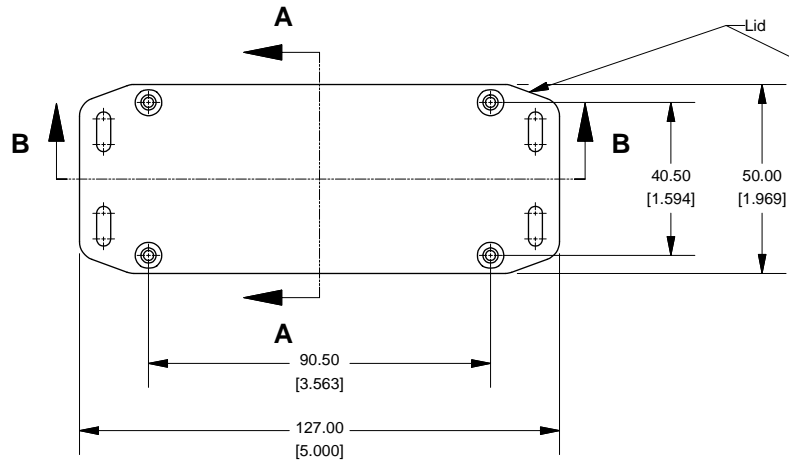
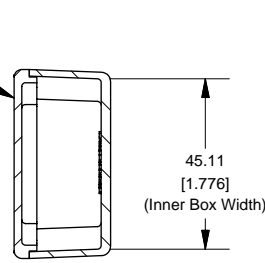


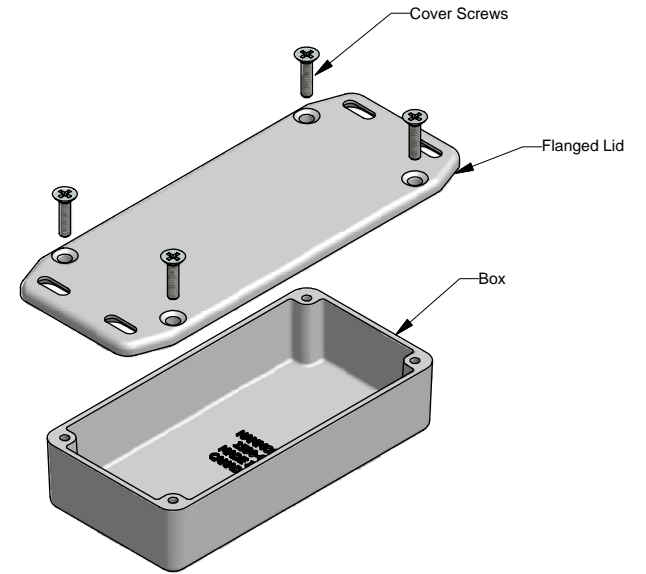
Top View of Assembly



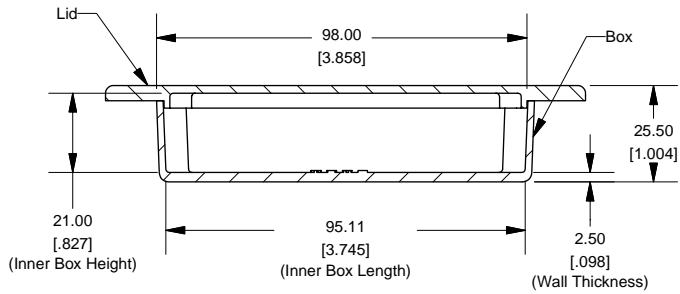
SECTION A-A  
End View of Assembly



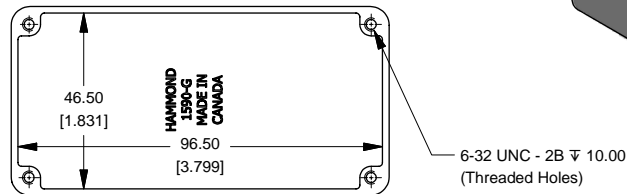
### Series 1590GFL (Flanged Lid)



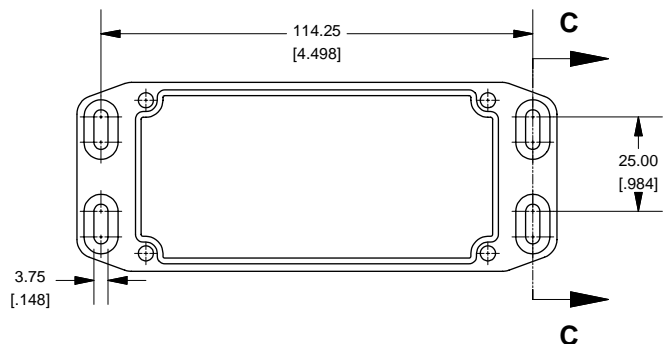
SECTION B-B  
Side View of Assembly



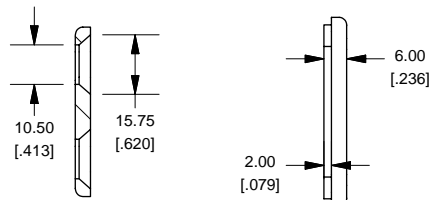
Top View Looking Inside Box



Lid



SECTION C-C  
Side View of Slot



**NOTE**  
 Purchased assembly includes box, lid and 4 cover screws.  
 Box and lid are made from Diecast Aluminum Alloy (alloy type 360.1).

PART NUMBERS	
<b>1590GFL Enclosure</b>	
Unfinished	1590GFL
Black Textured Powder Paint	1590GFLBK
<b>1590GFL Liquid Resistant Enclosure (Silicon Factory Installed Gasket)</b>	
Unfinished	1590WGFL
Black Textured Powder Paint	1590WGFLBK
<b>ACCESSORIES</b>	
Unfinished	
Cover Screws (Pkg 100)	1590MS100
[6-32 x 1/2" Nickel Plated Screws]	
Black Textured Powder Paint	
Cover Screws (Pkg 50)	1590MS50BK
[6-32 x 1/2" Stainless Steel Black Screws]	

